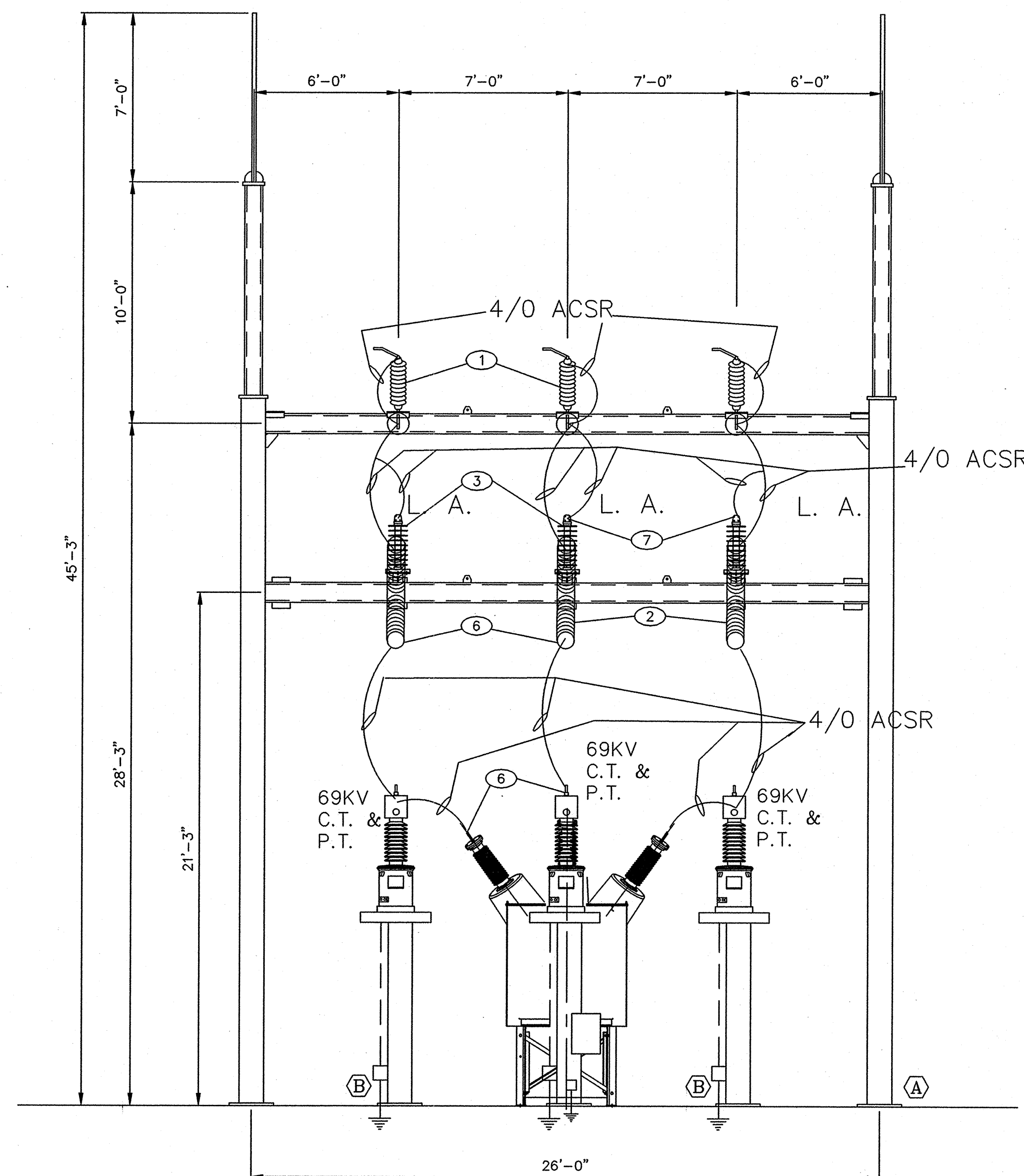


SECTION A E201



SECTION B E201

LEGEND:

- - MATERIAL FURNISHED BY OTHERS
- - REFER TO MATERIAL LIST (ML-4249)
- - STRUCTURE DESIGNATION
- ⊗ - RIGID BUS FITTING
- ⊕ - SLIP BUS FITTING
- ⊗ - EXPANSION BUS FITTING
- ⊕ - OPERATING MECHANISM

DIS-TRAN
Packaged Substations, LLC
For Approval Only
Date _____

NOTES

1. TUBE CUTTING SCHEDULE FOR REFERENCE ONLY. CUT TO EXACT LENGTH IN FIELD. CUT LONGEST LENGTH FIRST.
2. DRILL 1/4" Ø WEEP HOLES IN ALL HORIZONTAL BUS RUNS AT MAX. POINT OF DEFLECTION.
3. STRUCTURE HEIGHTS MEASURED FROM BOTTOM OF BASE PLATES.
4. CONTRACTOR TO INSTALL MCM ACSR INSIDE HORZ. RUNS OF ALUM. TUBE, AND MCM ACSR INSIDE HORZ. RUNS OF ALUM. TUBE FOR DAMPENING.

ORIGINAL

DIS-TRAN 4725 HWY. 28 E.
Pineville, LA 71360
Tel: (318) 448-0274
Fax: (318) 445-7240
Packaged Substations, LLC

NORD 69KV METERING POINT
SULPHUR SPRINGS VALLEY ELECTRIC COOPERATIVE
WILCOX, ARIZONA

SECTIONS A, & B

REV.	REVISION DESCRIPTION	MADE BY	CHK'D BY	APP'D BY	DATE
5					
4					
3					
2					
1					

- PRELIMINARY
- APPROVAL
- CONSTRUCTION
- AS BUILT

THIS DRAWING OR BILL OF MATERIAL IS CONFIDENTIAL AND MAY NOT BE LOANED, REPRODUCED OR COPIED, EITHER WHOLLY OR IN PART, OR MADE PUBLIC IN ANY MANNER WITHOUT THE WRITTEN CONSENT OF DIS-TRAN PACKAGED SUBSTATIONS, LLC. ALL RIGHTS OF DESIGN OR INVENTION ARE RESERVED.

SCALE 1/4"=1'-0"	DATE 7/08/08	JOB NUMBER 4249	DRAWING NUMBER E202	REV. NO. 0
DRAWN BY JRW	CHK'D BY TIC	APP'D BY CH		

4249E202